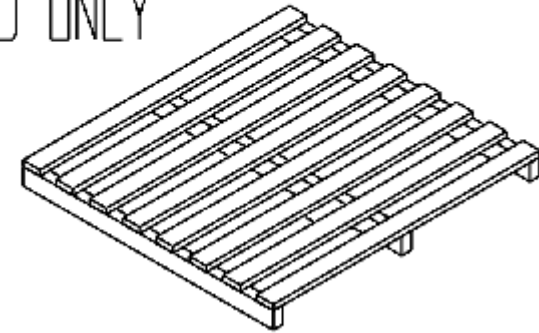


# STAINLESS STEEL TOTE LIFTER - L-270-HD-SS

\*\*\* ANY ADDITIONS, DELETIONS, OR OMISSIONS MUST BE CORRECTED ON THIS DRAWING AS THIS DRAWING WILL BE CONSIDERED ALL INCLUSIVE \*\*\*  
 ALL GRAPHICS PROVIDED ARE FOR REFERENCE ONLY. IF CERTAIN DIMENSIONS ARE CRITICAL PLEASE VERIFY THOSE DIMENSIONS WITH YOUR SALESPERSON



FOR USE WITH  
 OPEN BOTTOM  
 SKID ONLY



DIMENSION TOLERANCE ± 1/2"

## STANDARD FEATURES

MODEL NUMBER: L-270-HD-SS  
 CAPACITY: 2,000 LBS  
 LOWERED HEIGHT: 3 1/2"  
 RAISED HEIGHT: 31 1/2"  
 FORK LENGTH: 45"  
 FORK WIDTH: 6 1/2"  
 OVERALL FORK WIDTH: 26 3/4"

UNIT TAKES 36 PUMPS TO FULLY RAISE

## SPECIAL FEATURES

NONE

APPROVAL

I, THE UNDERSIGNED, AGREE THAT THE PRODUCT AS REPRESENTED SATISFIES DESIGN AND DIMENSION REQUIREMENTS. I ALSO ACKNOWLEDGE MY DUTY TO CONFIRM PRODUCT AND INSTALLATION COMPLIANCE WITH ALL APPLICABLE FEDERAL, STATE AND LOCAL REGULATIONS AND STANDARDS.  
**UNITS REQUIRING APPROVAL DRAWINGS OR MODIFIED ARE NON-RETURNABLE**  
 As drawn       As marked

Signed: \_\_\_\_\_ Date: \_\_\_\_\_

Printed Name: \_\_\_\_\_

LEAD TIME WILL START UPON RECEIPT OF SIGNED APPROVAL DRAWING

FOR INTERNAL USE ONLY  
 PROJECT SIGN OFF

SALES	
ENG.	
FAB.	
POWER	

DISTRIBUTOR'S NAME:		P.O.#
VESTIL MANUFACTURING		X
DRAWN BY: CRH		DATE: 1/9/2019
REFERENCE: X		SCALE: 1:1
QUOTED LEAD TIME: X		QUOTE # X
		SALES: X
		FILE NAME:
		L-270-HD-SS